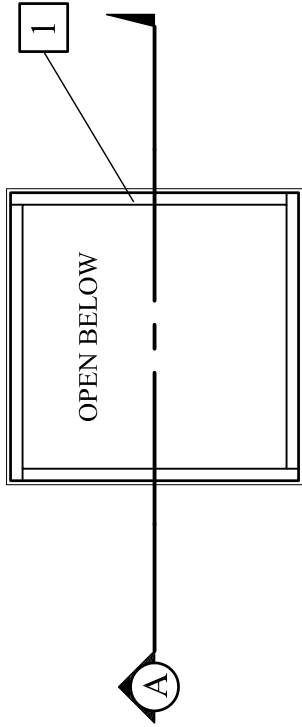
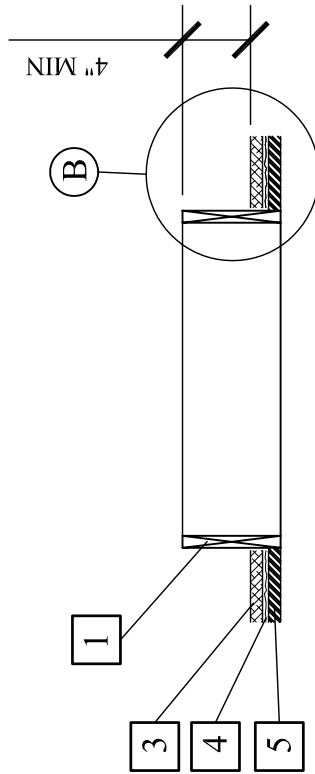


FOAM ROOF SURFACE



TOP VIEW OF SKYLIGHT CURB

SCALE: $\frac{1}{2}$ " = 1'0"



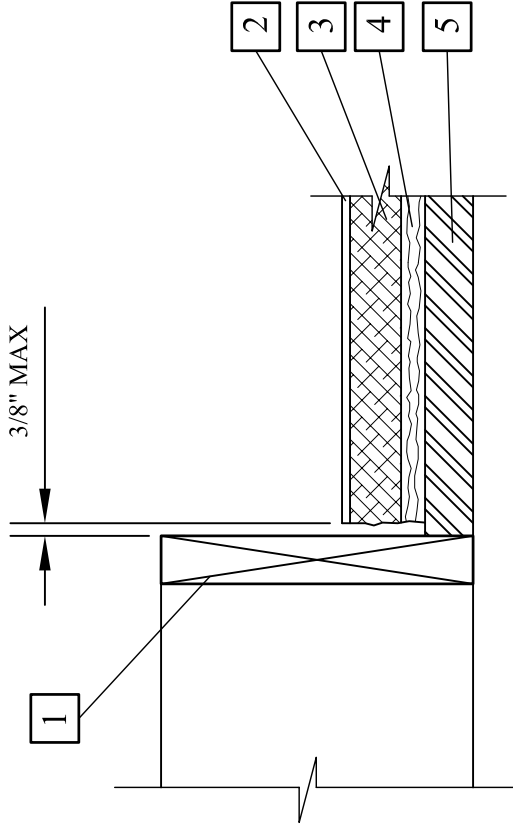
SECTION OF SKYLIGHT CURB

SCALE: $\frac{1}{2}$ " = 1'0"



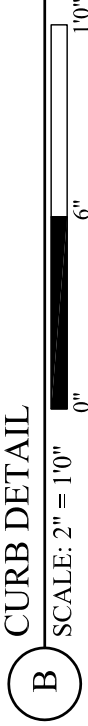
NOTES:

1. 2X LUMBER; WIDTH VARIES
2. EXISTING COATING LAYER
3. EXISTING FOAM ROOF SYSTEM
4. EXISTING SUBSTRATE
5. ROOF DECK



CURB DETAIL

SCALE: 2" = 1'0"



SKYLIGHT PENETRATION DETAIL

08-05-2004

Site:

Dura-Foam

1185 O'Brien Drive
 Menlo Park, CA 94025
 Phone: (650)327-3200
 Fax: (650)327-1566

SIZE	FSCM NO.	DWG NO.	REV

SCALE: SHOWN

SHEET