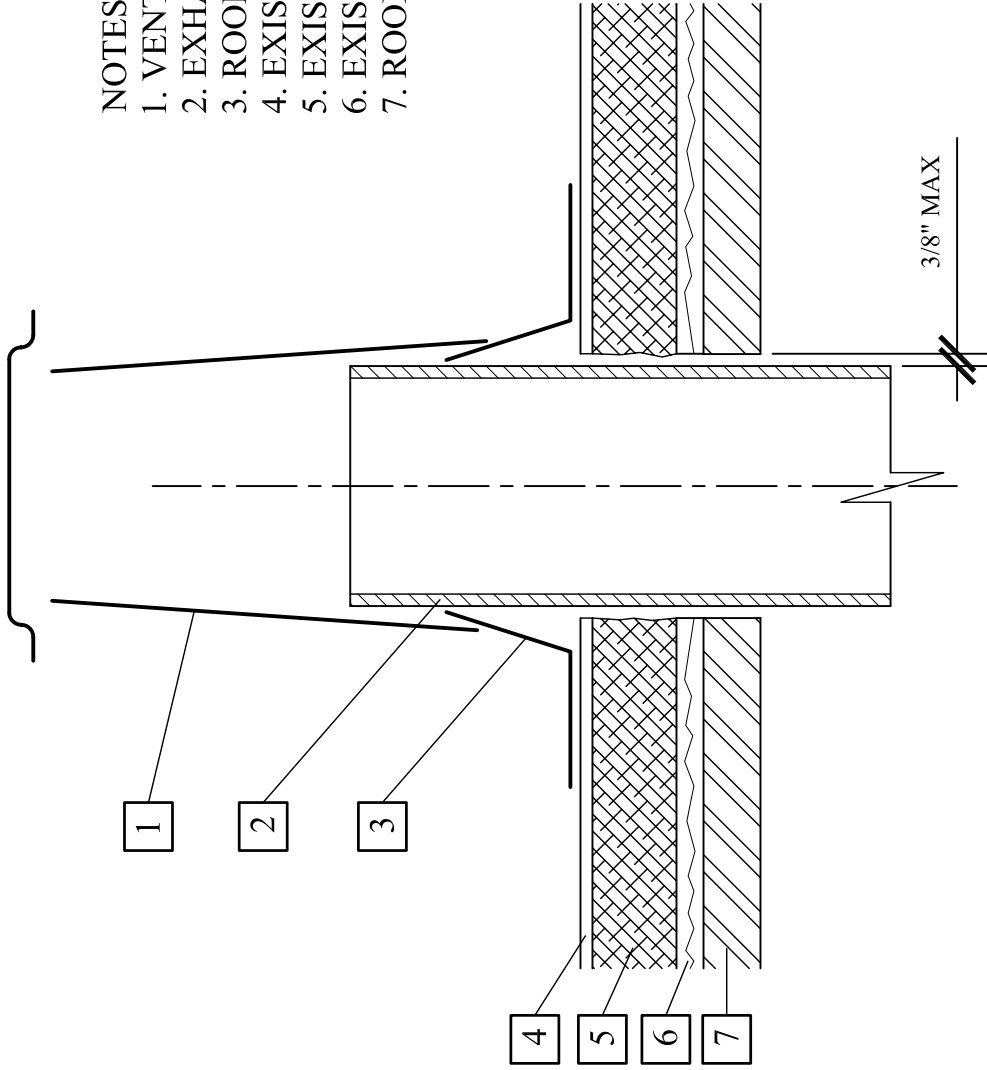


- NOTES:
1. VENT CAP
  2. EXHAUST VENT
  3. ROOF JACK
  4. EXISTING COATING LAYER
  5. EXISTING FOAM ROOF SYSTEM
  6. EXISTING SUBSTRATE
  7. ROOF DECK



1 EXHAUST VENT PENETRATION DETAIL

SCALE: 3" = 1'0"  
0" 6" 10"

EXHAUST VENT PENETRATION DETAIL

08-05-2004

Site:

**Dura-Foam**  
 1185 O'Brien Drive  
 Menlo Park, CA 94025  
 Phone: (650)327-3200  
 Fax: (650)327-1566

SIZE FSCM NO.

DWG NO.

REV

SCALE: SHOWN

SHEET